

### General Description

The GreenMOS<sup>®</sup> high voltage MOSFET utilizes charge balance technology to achieve outstanding low on-resistance and lower gate charge. It is engineered to minimize conduction loss, provide superior switching performance and robust avalanche capability.

The GreenMOS<sup>®</sup> Generic series is optimized for extreme switching performance to minimize switching loss. It is tailored for high power density applications to meet the highest efficiency standards.

### Features

- Low  $R_{DS(ON)}$  & FOM
- Extremely low switching loss
- Excellent stability and uniformity



### Applications

- PC power
- LED lighting
- Telecom power
- Server power
- EV Charger
- Solar/UPS

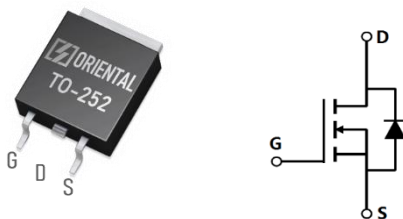
### Key Performance Parameters

| Parameter                      | Value | Unit       |
|--------------------------------|-------|------------|
| $V_{DS, min} @ T_{j(max)}$     | 750   | V          |
| $I_{D, pulse}$                 | 24    | A          |
| $R_{DS(ON), max} @ V_{GS}=10V$ | 600   | m $\Omega$ |
| $Q_g$                          | 12.2  | nC         |

### Marking Information

| Product Name | Package | Marking    |
|--------------|---------|------------|
| OSG70R600DF  | TO252   | OSG70R600D |

### Package & Pin Information



**Absolute Maximum Ratings** at  $T_j=25^\circ\text{C}$  unless otherwise noted

| Parameter   | Symbol         | Value      | Unit             |
|---|----------------|------------|------------------|
| Drain-source voltage  | $V_{DS}$       | 700        | V                |
| Gate-source voltage   | $V_{GS}$       | $\pm 30$   | V                |
| Continuous drain current <sup>1)</sup> , $T_C=25^\circ\text{C}$         | $I_D$          | 8          | A                |
| Continuous drain current <sup>1)</sup> , $T_C=100^\circ\text{C}$        |                | 5          |                  |
| Pulsed drain current <sup>2)</sup> , $T_C=25^\circ\text{C}$             | $I_{D, pulse}$ | 24         | A                |
| Continuous diode forward current <sup>1)</sup> , $T_C=25^\circ\text{C}$ | $I_S$          | 8          | A                |
| Diode pulsed current <sup>2)</sup> , $T_C=25^\circ\text{C}$             | $I_{S, pulse}$ | 24         | A                |
| Power dissipation <sup>3)</sup> , $T_C=25^\circ\text{C}$                | $P_D$          | 63         | W                |
| Single pulsed avalanche energy <sup>5)</sup>                            | $E_{AS}$       | 130        | mJ               |
| MOSFET dv/dt ruggedness, $V_{DS}=0\dots 480\text{ V}$                   | dv/dt          | 50         | V/ns             |
| Reverse diode dv/dt, $V_{DS}=0\dots 480\text{ V}$ , $I_{SD}\leq I_D$    | dv/dt          | 15         | V/ns             |
| Operation and storage temperature                                       | $T_{stg}, T_j$ | -55 to 150 | $^\circ\text{C}$ |

**Thermal Characteristics**

| Parameter  | Symbol          | Value | Unit               |
|--|-----------------|-------|--------------------|
| Thermal resistance, junction-case                  | $R_{\theta JC}$ | 1.98  | $^\circ\text{C/W}$ |
| Thermal resistance, junction-ambient <sup>4)</sup> | $R_{\theta JA}$ | 62    | $^\circ\text{C/W}$ |

**Electrical Characteristics** at  $T_j=25^\circ\text{C}$  unless otherwise specified

| Parameter                        | Symbol       | Min. | Typ. | Max. | Unit          | Test condition   |
|----------------------------------|--------------|------|------|------|---------------|--|
| Drain-source breakdown voltage   | $BV_{DSS}$   | 700  |      |      | V             | $V_{GS}=0\text{ V}$ , $I_D=250\ \mu\text{A}$                           |
|                                  |              | 750  | 850  |      |               | $V_{GS}=0\text{ V}$ , $I_D=250\ \mu\text{A}$ , $T_j=150^\circ\text{C}$ |
| Gate threshold voltage           | $V_{GS(th)}$ | 2.9  |      | 3.9  | V             | $V_{DS}=V_{GS}$ , $I_D=250\ \mu\text{A}$                               |
| Drain-source on-state resistance | $R_{DS(ON)}$ |      | 0.53 | 0.60 | $\Omega$      | $V_{GS}=10\text{ V}$ , $I_D=4\text{ A}$                                |
|                                  |              |      | 1.47 |      |               | $V_{GS}=10\text{ V}$ , $I_D=4\text{ A}$ , $T_j=150^\circ\text{C}$      |
| Gate-source leakage current      | $I_{GSS}$    |      |      | 100  | nA            | $V_{GS}=30\text{ V}$   |
|                                  |              |      |      | -100 |               | $V_{GS}=-30\text{ V}$  |
| Drain-source leakage current     | $I_{DSS}$    |      |      | 1    | $\mu\text{A}$ | $V_{DS}=700\text{ V}$ , $V_{GS}=0\text{ V}$                            |

### Dynamic Characteristics

| Parameter                    | Symbol       | Min. | Typ.  | Max. | Unit | Test condition   |
|------------------------------|--------------|------|-------|------|------|--|
| Input capacitance            | $C_{iss}$    |      | 587.1 |      | pF   | $V_{GS}=0\text{ V}$ ,<br>$V_{DS}=50\text{ V}$ ,<br>$f=1\text{ MHz}$                        |
| Output capacitance           | $C_{oss}$    |      | 40.1  |      | pF   |  |
| Reverse transfer capacitance | $C_{rss}$    |      | 1.4   |      | pF   |  |
| Turn-on delay time           | $t_{d(on)}$  |      | 30.3  |      | ns   | $V_{GS}=10\text{ V}$ ,<br>$V_{DS}=400\text{ V}$ ,<br>$R_G=2\ \Omega$ ,<br>$I_D=4\text{ A}$ |
| Rise time                    | $t_r$        |      | 16.4  |      | ns   |  |
| Turn-off delay time          | $t_{d(off)}$ |      | 59.9  |      | ns   |  |
| Fall time                    | $t_f$        |      | 7.1   |      | ns   |  |

### Gate Charge Characteristics

| Parameter            | Symbol        | Min. | Typ. | Max. | Unit | Test condition  |
|----------------------|---------------|------|------|------|------|---|
| Total gate charge    | $Q_g$         |      | 12.2 |      | nC   | $V_{GS}=10\text{ V}$ ,<br>$V_{DS}=400\text{ V}$ ,<br>$I_D=4\text{ A}$ |
| Gate-source charge   | $Q_{gs}$      |      | 2.9  |      | nC   |   |
| Gate-drain charge    | $Q_{gd}$      |      | 4.9  |      | nC   |   |
| Gate plateau voltage | $V_{plateau}$ |      | 5.7  |      | V    |   |

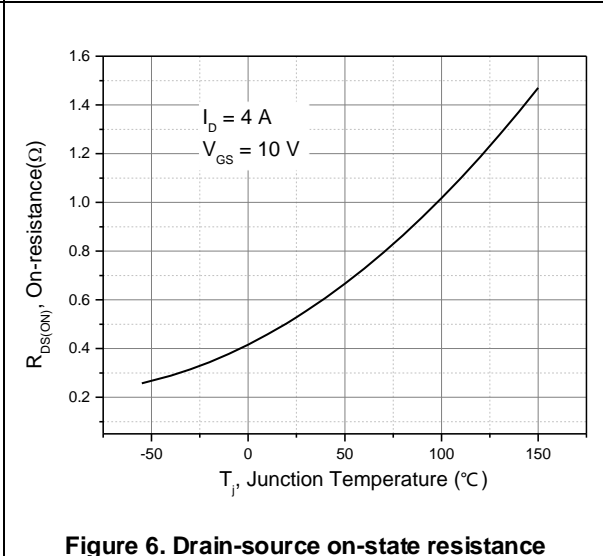
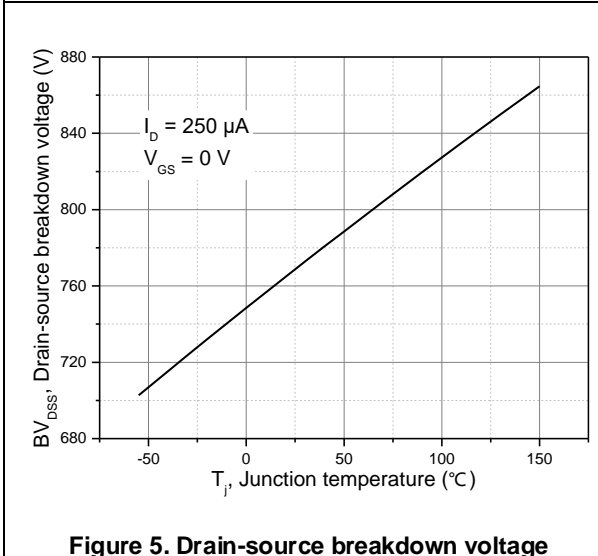
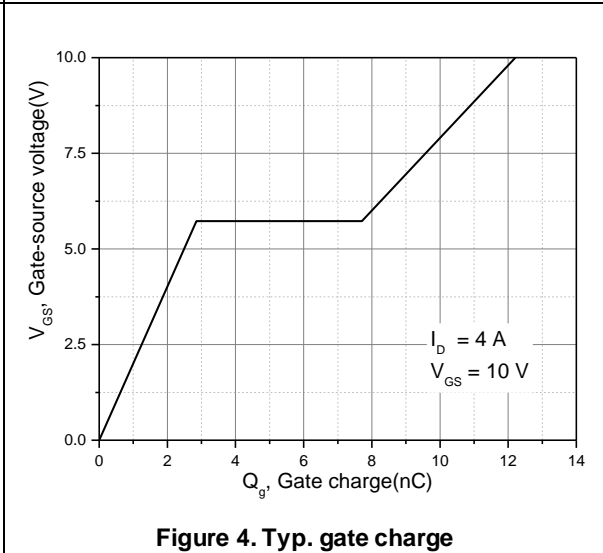
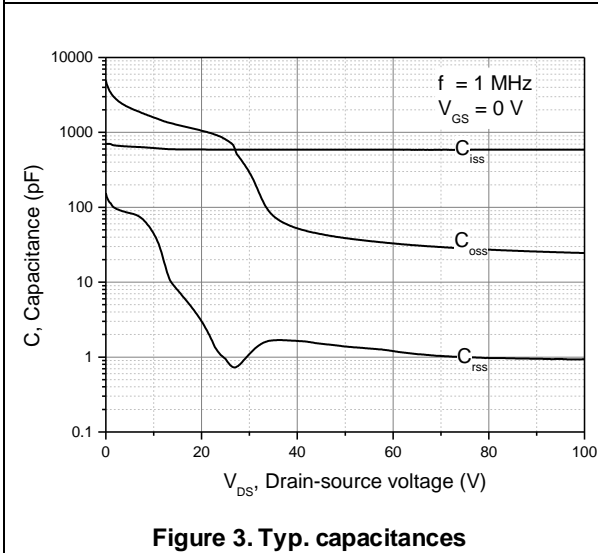
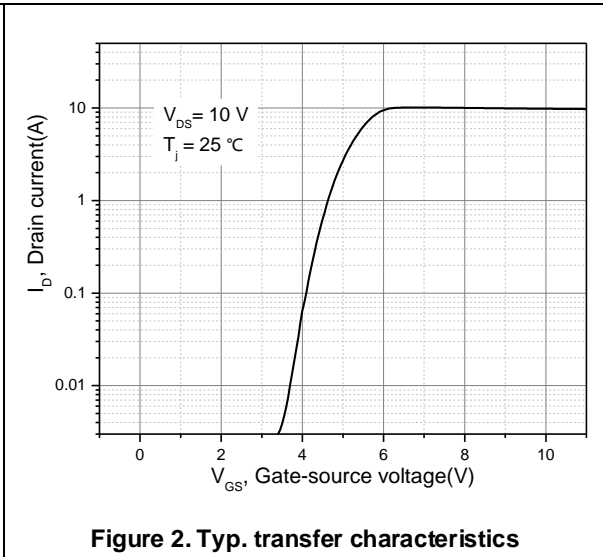
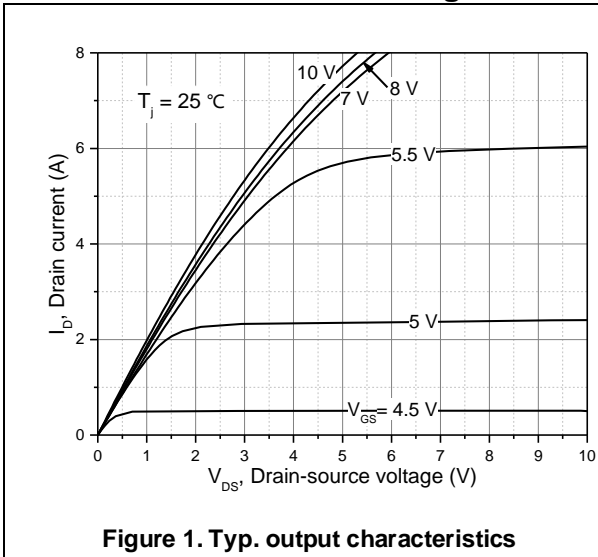
### Body Diode Characteristics

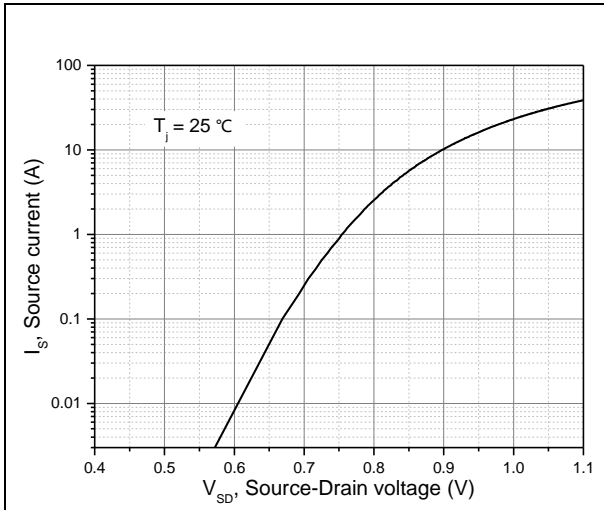
| Parameter                     | Symbol    | Min. | Typ.  | Max. | Unit          | Test condition   |
|-------------------------------|-----------|------|-------|------|---------------|--|
| Diode forward voltage         | $V_{SD}$  |      |       | 1.3  | V             | $I_S=8\text{ A}$ ,<br>$V_{GS}=0\text{ V}$                                      |
| Reverse recovery time         | $t_{rr}$  |      | 190.8 |      | ns            | $V_R=400\text{ V}$ ,<br>$I_S=4\text{ A}$ ,<br>$di/dt=100\text{ A}/\mu\text{s}$ |
| Reverse recovery charge       | $Q_{rr}$  |      | 1.9   |      | $\mu\text{C}$ |  |
| Peak reverse recovery current | $I_{rrm}$ |      | 21.9  |      | A             |  |

### Note

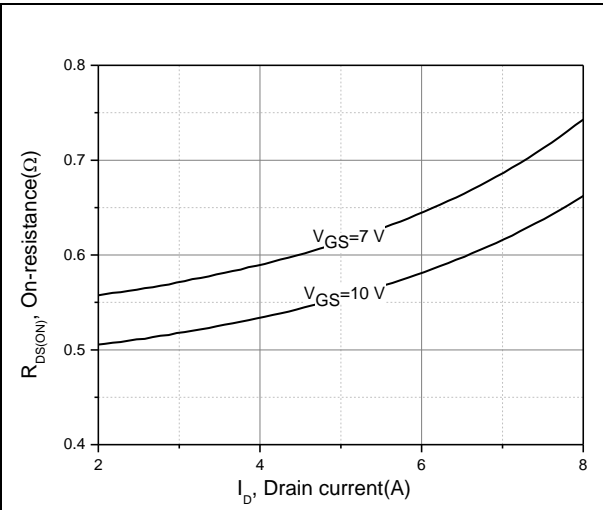
- 1) Calculated continuous current based on maximum allowable junction temperature.
- 2) Repetitive rating; pulse width limited by max. junction temperature.
- 3)  $P_d$  is based on max. junction temperature, using junction-case thermal resistance.
- 4) The value of  $R_{\theta JA}$  is measured with the device mounted on 1 in 2 FR-4 board with 2oz. Copper, in a still air environment with  $T_a=25\text{ }^\circ\text{C}$ .
- 5)  $V_{DD}=100\text{ V}$ ,  $V_{GS}=10\text{ V}$ ,  $L=40\text{ mH}$ , starting  $T_j=25\text{ }^\circ\text{C}$ .

**Electrical Characteristics Diagrams**

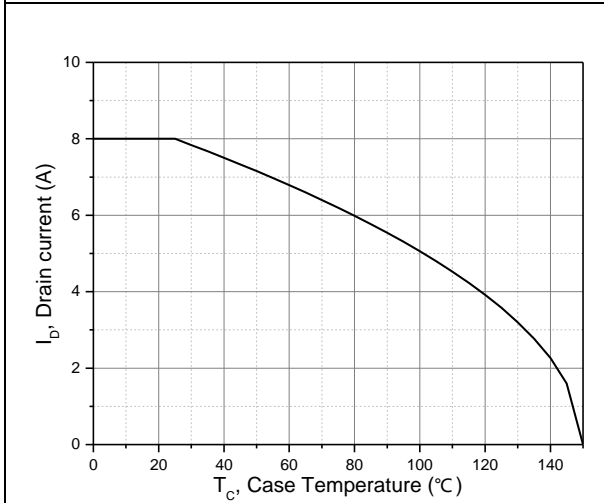




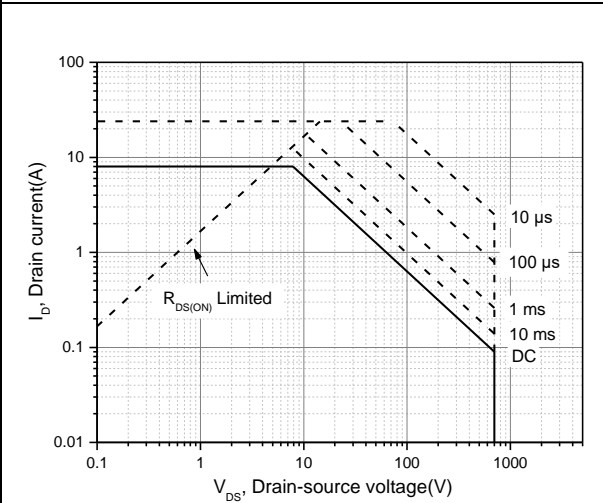
**Figure 7. Forward characteristic of body diode**



**Figure 8. Drain-source on-state resistance**



**Figure 9. Drain current**



**Figure 10. Safe operation area T<sub>c</sub>=25 °C**

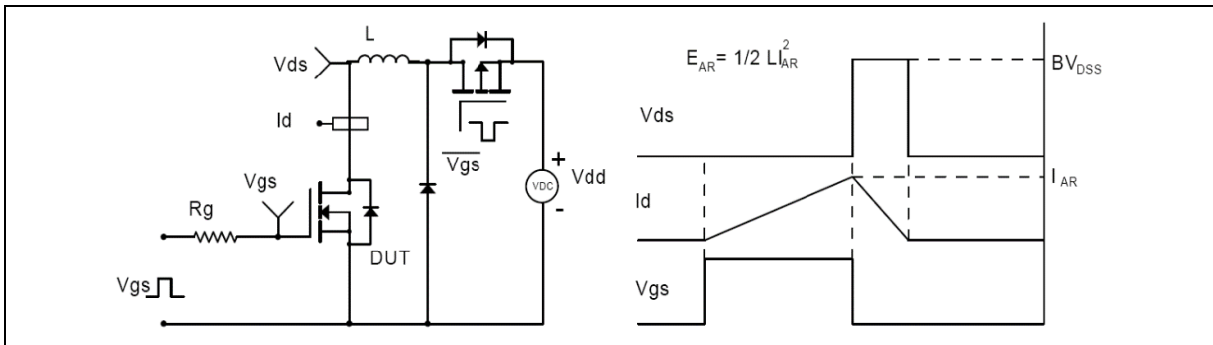
**Test circuits and waveforms**



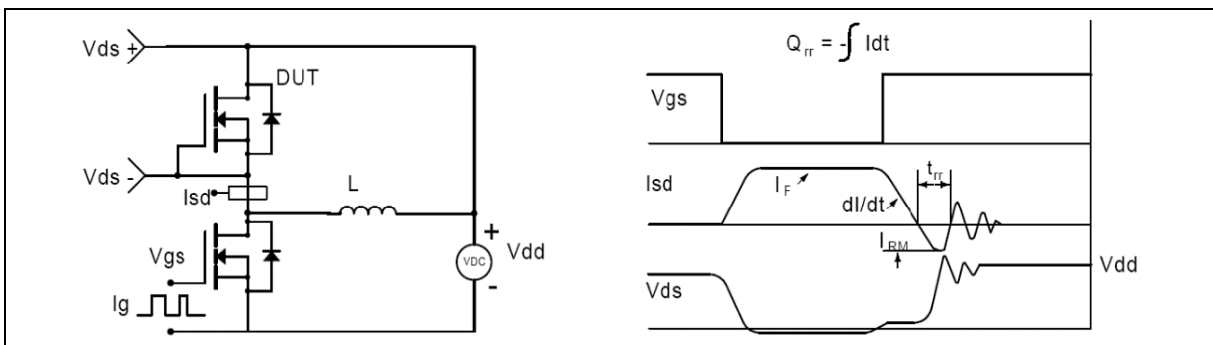
**Figure 1. Gate charge test circuit & waveform**



**Figure 2. Switching time test circuit & waveforms**

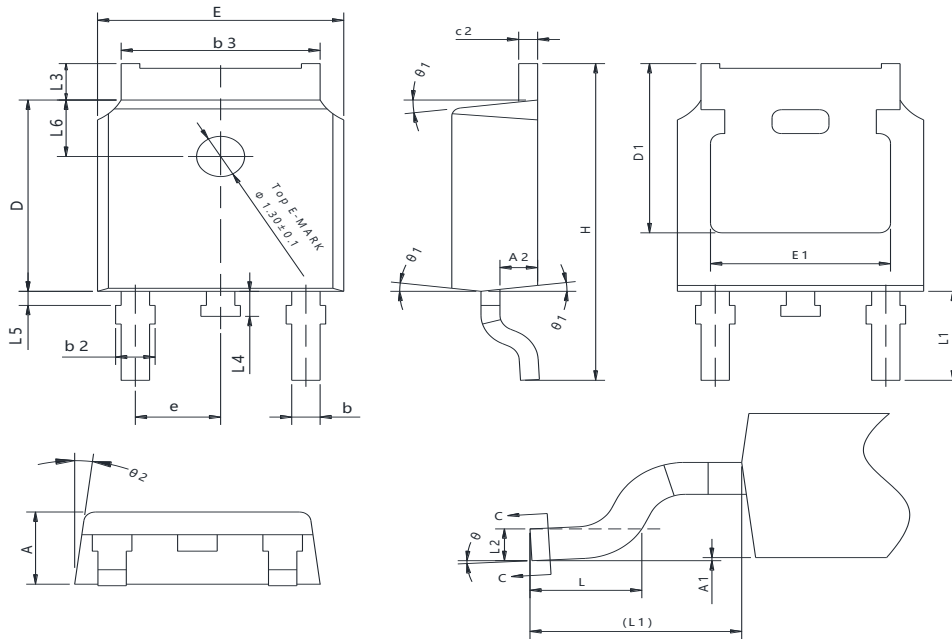


**Figure 3. Unclamped inductive switching (UIS) test circuit & waveforms**



**Figure 4. Diode reverse recovery test circuit & waveforms**

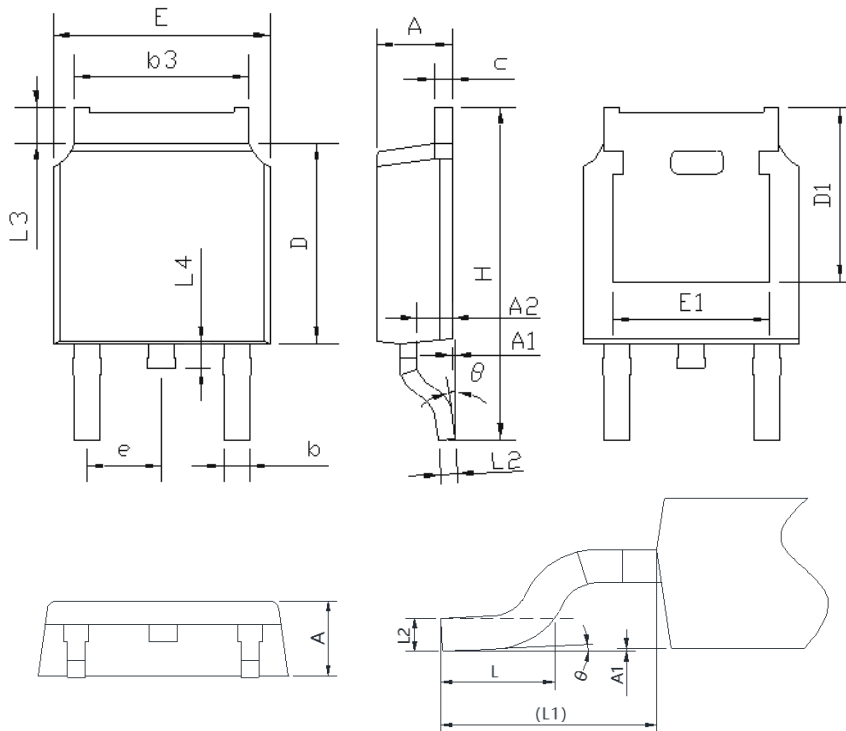
**Package Information**



| Symbol     | mm       |       |       |
|------------|----------|-------|-------|
|            | Min      | Nom   | Max   |
| A          | 2.20     | 2.30  | 2.38  |
| A1         | 0.00     | -     | 0.10  |
| A2         | 0.90     | 1.01  | 1.10  |
| b          | 0.72     | -     | 0.85  |
| b1         | 0.71     | 0.76  | 0.81  |
| b2         | 0.72     | -     | 0.90  |
| b3         | 5.13     | 5.33  | 5.46  |
| c          | 0.47     | -     | 0.60  |
| c1         | 0.46     | 0.51  | 0.56  |
| c2         | 0.47     | -     | 0.60  |
| D          | 6.00     | 6.10  | 6.20  |
| D1         | 5.25     | -     | -     |
| E          | 6.50     | 6.60  | 6.70  |
| E1         | 4.70     | -     | -     |
| e          | 2.186    | 2.286 | 2.386 |
| H          | 9.80     | 10.10 | 10.40 |
| L          | 1.40     | 1.50  | 1.70  |
| L1         | 2.90REF  |       |       |
| L2         | 0.508BSC |       |       |
| L3         | 0.90     | -     | 1.25  |
| L4         | 0.60     | 0.80  | 1.00  |
| L5         | 0.15     | -     | 0.75  |
| L6         | 1.80REF  |       |       |
| $\theta$   | 0°       | -     | 8°    |
| $\theta_1$ | 5°       | 7°    | 9°    |
| $\theta_2$ | 5°       | 7°    | 9°    |

Version 1: TO252-J package outline dimension

**Package Information**



| Symbol | mm        |       |       |
|--------|-----------|-------|-------|
|        | Min       | Nom   | Max   |
| A      | 2.20      | 2.30  | 2.38  |
| A1     | 0.00      | -     | 0.20  |
| A2     | 0.97      | 1.07  | 1.17  |
| b      | 0.68      | 0.78  | 0.90  |
| b3     | 5.20      | 5.33  | 5.46  |
| c      | 0.43      | 0.53  | 0.61  |
| D      | 5.98      | 6.10  | 6.22  |
| D1     | 5.30 REF  |       |       |
| E      | 6.40      | 6.60  | 6.73  |
| E1     | 4.63      | -     | -     |
| e      | 2.286 BSC |       |       |
| H      | 9.40      | 10.10 | 10.50 |
| L      | 1.38      | 1.50  | 1.75  |
| L1     | 2.90 REF  |       |       |
| L2     | 0.51 BSC  |       |       |
| L3     | 0.88      | -     | 1.28  |
| L4     | 0.50      | -     | 1.00  |
| θ      | 0°        | -     | 8°    |

Version 2: TO252-P package outline dimension



## Ordering Information

| Package Type | Units/ Reel | Reels/ Inner Box | Units/ Inner Box | Inner Boxes/ Carton Box | Units/ Carton Box |
|--------------|-------------|------------------|------------------|-------------------------|-------------------|
| TO252-J      | 2500        | 2                | 5000             | 5                       | 25000             |
| TO252-P      | 2500        | 2                | 5000             | 5                       | 25000             |

## Product Information

| Product     | Package | Pb Free | RoHS | Halogen Free |
|-------------|---------|---------|------|--------------|
| OSG70R600DF | TO252   | yes     | yes  | yes          |

## Legal Disclaimer

The information given in this document shall in no event be regarded as a guarantee of conditions or characteristics. With respect to any examples or hints given herein, any typical values stated herein and/or any information regarding the application of the device, Oriental Semiconductor hereby disclaims any and all warranties and liabilities of any kind, including without limitation, warranties of non-infringement of intellectual property rights of any third party.

For further information on technology, delivery terms and conditions and prices, please contact the Oriental Semiconductor sales representatives ([www.orientalsemi.com](http://www.orientalsemi.com)).

© Oriental Semiconductor Co.,Ltd. All Rights Reserved 